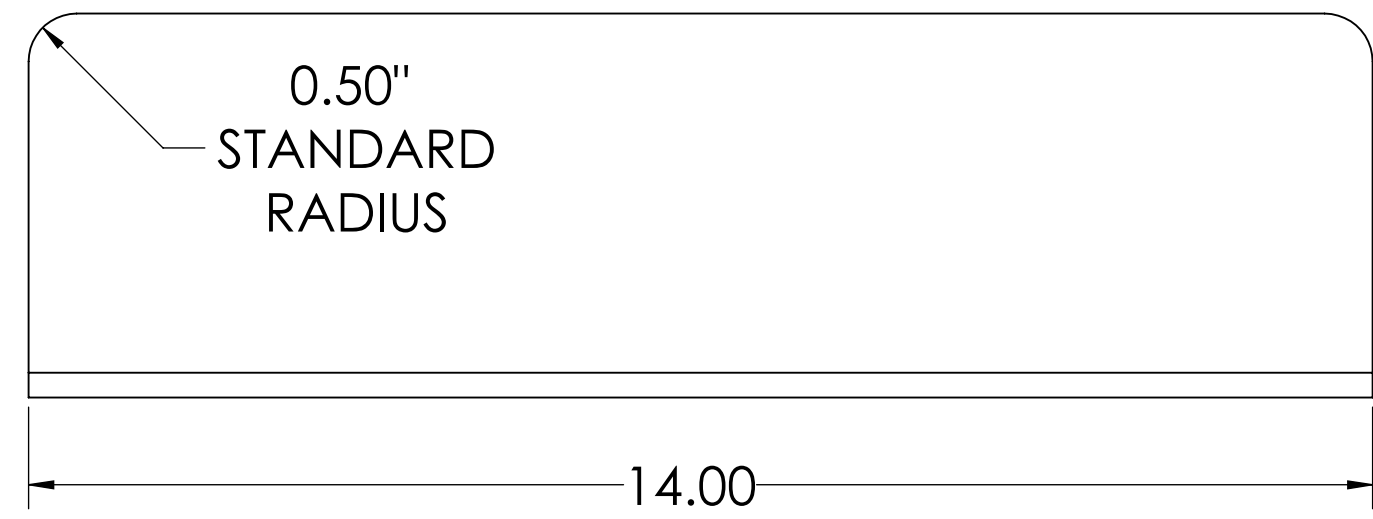
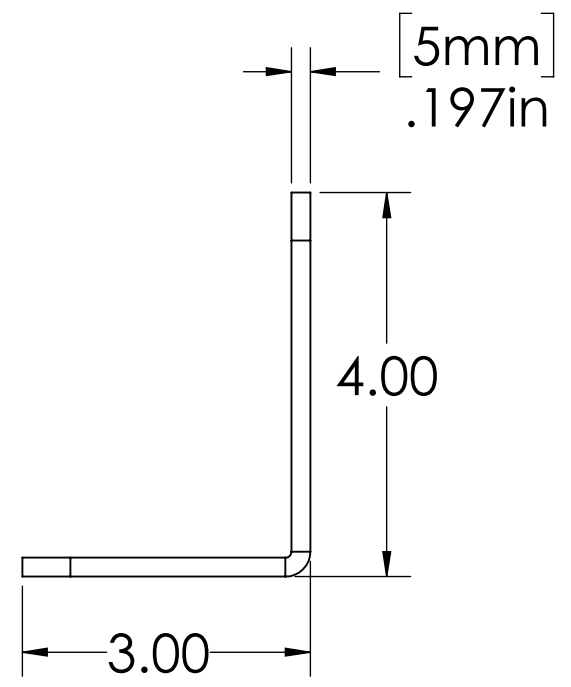
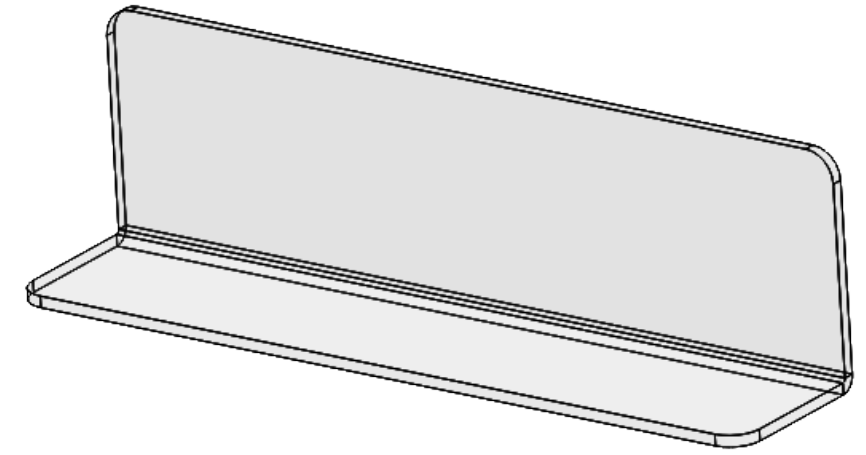


**NOT WHAT YOU'RE LOOKING FOR?
CONTACT US FOR CUSTOM ORDERS!**
WWW.ACRYLICDIVIDERS.COM



UNLESS OTHERWISE SPECIFIED: DIMENSIONS ARE IN INCHES TOLERANCES: X.X ±0.06" [1.5mm] X.XX ±0.03" [0.8mm] ANGULAR: BEND ±1° M/C ±0.5°		ACRYLICDIVIDERS.COM	
		TITLE: 3" x 4" x 14" Clear Divider 5mm Thick	
		SIZE B	DWG. NO. AD_008
DO NOT SCALE DRAWING		SCALE: 1:2	WEIGHT: SHEET 1 OF 1